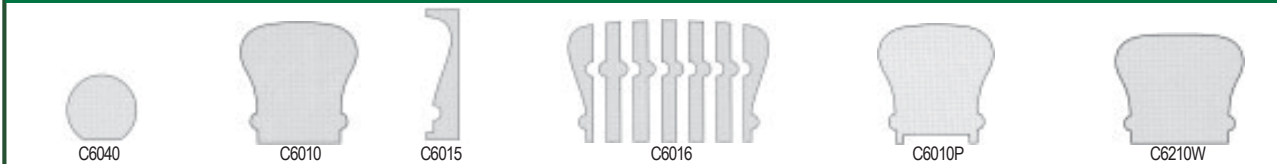


# Stock Stair Parts



## Wall & Hand Rails



### Wall Rails in Stock

P6040 FJ Wall Rail - Poplar  
C6040 Wall Rail - Oak  
Sold in 16 Foot Lengths

### Oak Handrails in Stock

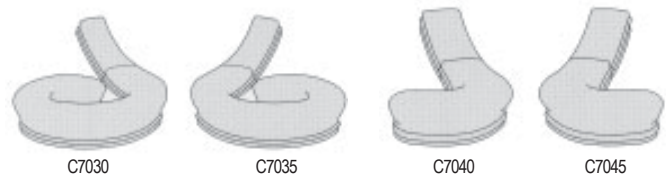
C6010 Traditional Handrail  
C6015 Bending Mold  
C6016 Bending Rail  
C6010P Traditional Plowed Handrail  
C6210W Classic Handrail

## Oak Fittings

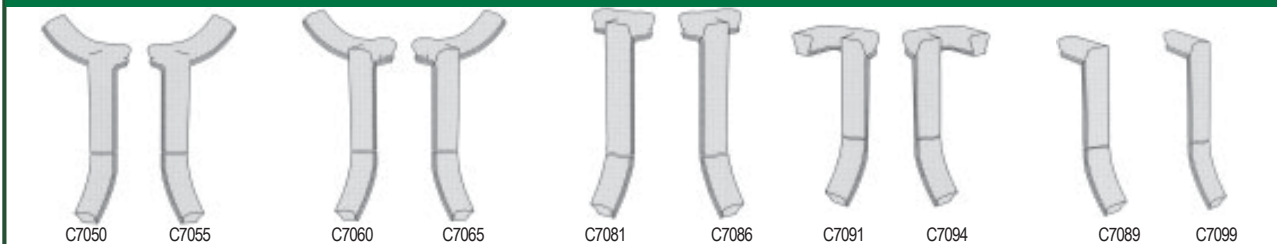


### C6010 Traditional Oak Fittings in Stock

C7001	Rail Drop	C7020	Tandem Cap
C7009	Returned End	C7021	Level Quarterturn Cap
C7010	Starting Easing w/ Cap	C7030	Volute - Left Hand
C7011	Level Quarterturn	C7035	Volute - Right Hand
C7012S	Up Easing	C7040	Turnout - Left Hand
C7013	Over Easing	C7045	Turnout - Right Hand
C7019	Opening Cap		



## Oak Fittings



### C6010 Traditional Oak Fittings in Stock

C7050	Gooseneck - Left Hand Up Easing	C7081	Gooseneck - Left Hand w/ Cap	C7089	Gooseneck - Straight w/ Tandem Cap
C7055	Gooseneck - Right Hand Up Easing	C7086	Gooseneck - Right Hand w/ Cap	C7099	Gooseneck - Straight
C7060	Gooseneck - Left Hand w/ Cap and Up Easing	C7091	Gooseneck - Left Hand U-Shape		
C7065	Gooseneck - Right Hand w/ Cap and Up Easing	C7094	Gooseneck - Right Hand U-Shape		

# Stock Stair Parts



## Balusters in Stock

### 1 1/4" Primed Baluster

C5060 Primed Baluster Sq. 41"



C5060

### 1 1/4" Primed Baluster

C5015 34" Primed Baluster  
C5015 36" Primed Baluster  
C5015 39" Primed Baluster  
C5015 41" Primed Baluster  
C5015 43" Primed Baluster



C5015

### 1 1/4" Primed Baluster

C5067 34" Primed Baluster  
C5067 36" Primed Baluster  
C5067 39" Primed Baluster  
C5067 41" Primed Baluster



C5067

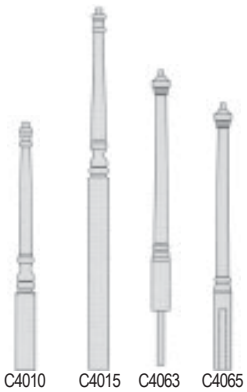
### 1 3/4" Primed Baluster

C5611 34" Primed Baluster  
C5611 36" Primed Baluster  
C5611 39" Primed Baluster  
C5611 41" Primed Baluster



C5611

## Oak Newels in Stock

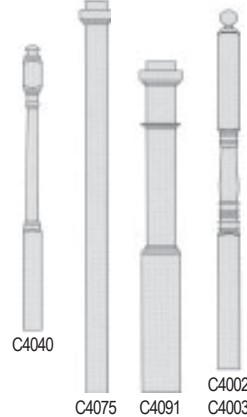


C4010 C4015 C4063 C4065

### Over the Post Oak Newels in Stock

For Use with Traditional Rail

C4010 Starting Newel  
C4015 Landing Newel  
C4063 Volute Newel  
C4065 Turnout Newel



C4040 C4075 C4091 C4002 C4003

### Post to Post Oak Newels in Stock

For Use in Traditional Rail

C4040 Starting Newel  
C4045 Landing Newel  
C4055 Gooseneck Newel  
C4040H Half Starting Newel

### Post to Post Oak Newels in Stock

For Use with Classic Rail

C4075 Starting Newel 3 1/2" Sq.  
C4091 Starting Newel 4 3/4" Top Sq.  
6 1/4" Bottom Sq.  
C4002 Angle Newel  
C4003 Gooseneck Newel

## S4S Boards, Starting Steps & Finishing Details

### S4S Boards - Risers & Skirt Material

3/4" x 11 3/4" Boards - FJ Poplar per foot  
3/4" x 7 1/4" Boards - FJ Poplar per foot  
3/4" x 11 1/4" x 16' MDF Board\*  
3/4" x 7 1/2" x 16' MDF Board\*  
3/4" x 7 1/4" Clear Red Oak Board per foot



C8015  
C8016-53



C8010



C3505-30  
C3505-35



C3901

### Starting Steps in Stock

C8015 48" Double End Volute & Turnout Starting Stair  
C8010 48" Single End Volute & Turnout Starting Stair  
C8010MLDG Curve Oak Shoe Mould (set)  
C8016-53 48" - 53" Adjustable Double End Volute & Turnout Starting Stair



C8015  
C8016-53



C8010



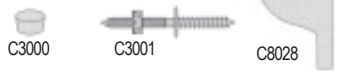
C3505-30  
C3505-35



C3901



C7317 C7337



C3000 C3001 C8028



### Finishing Details in Stock

C7317 Round Rosette  
C7337 Oval Oak Rosette  
C8028 Stair Bracket  
C3000 Oak Plug  
C3001 Rail Bolt  
C3505-30 3" L-Bracket Post Fastener Oak  
C3505-35 3 1/2" L-Bracket Post Fastener C3901  
C3901 Rail Bolt Wrench  
Guide Coffman stair building guide

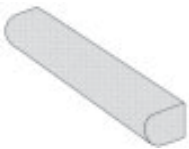

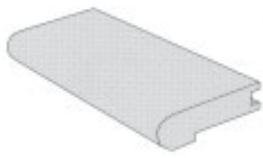

# Stock Stair Parts



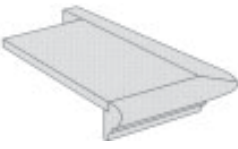


## Treads in Stock

	
<p><b>Sizes for MDF Tread</b></p> <p>3-6 4-0</p> <p>MDF Tread</p>	<p><b>Sizes for Oak Tread</b></p> <p>3-6 4-0 5-0 6-0</p> <p>Oak Tread</p>

## Stair Moulding & Treads in Stock

 <p>C8080</p>	 <p>C8095</p>	 <p>C8090</p>	 <p>C8590</p>
<p><b>Lineal Oak Stair Moulding in Stock</b></p> <p>C8080 Lineal Stair Return Nosing C8095 Oak Stair Cove</p>		<p><b>Oak Landing Treads in Stock</b></p> <p>C8090 3 1/2" Landing Tread C8590 5 1/4" Landing Tread</p>	

## Treads & Risers in Stock

<p><b>False Treads &amp; Risers in Stock</b></p> <p>C8971 False Tread Cap - Reversible w/ Return C8972 Wall Cap C8976 False Riser</p>	 <p>C8971</p>	 <p>C8972</p>	 <p>C8976</p>
---	--	---	--

# Stock Stair Parts



## Collars for Forged Balusters

### Base Collars

Base Collars should be ordered for every forged baluster in the stair. Since the top of most forged balusters are formed into a 1/2" diameter, base collars will only be required to finish the baluster at the tread. Install collars using the same epoxy adhesives used to install the balusters. There are two base collars in stock and available.



C-2340



C-2342



C-2350

### Rake Collar

The Rake Collar replaces the base collar on knee wall stairs. Place a collar onto the bottom of all balusters before installing. With the collar resting firmly on the knee wall, permanently attach by tightening the provided set screw. Note: Rake collars can also be used underneath the handrail if desired.

## Forged Iron Ballusters in Stock

### "Orleans Collections"

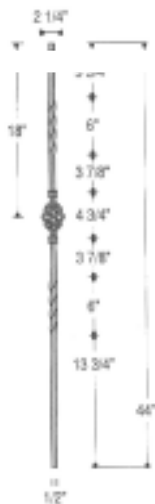
Like the magical city for which it is named, the Coffman "Orleans Collection" is a world apart; an opportunity to blend southern warmth with a unique cultural statement.

And like New Orleans itself, the "Orleans Collection" is Coffman's most popular offering with its inviting charm and unique appeal.

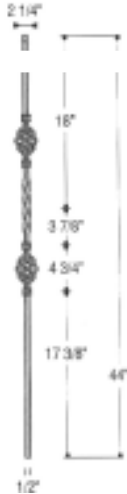
C-2551



C-2552



C-2553



## Epoxy Glue System for Forged Collection

C-2301 Adhesive (Approximately 20 balusters per tube) Open work time - 20 minutes

C-2302 Manual Dispenser

C-2303 Mixing Nozzle (Packed 10 each)



C-2301

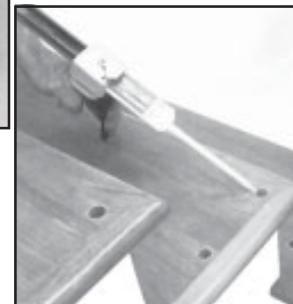
Adhesive

C-2302

Manual Dispenser

C-2303

Mixing Nozzle



# Attic & Sprial Stairways



### Disappearing Stairs Full Width Piano Hinge Features

---

#### "Atlas" Ladder Features

250 lb Duty Rating  
1 x 4 Frame & Stringer  
1 x 4 Tread  
One Strong Metal Handrail

---

#### "Everest" Ladder Features

Rails Made of Heavy Duty Aluminum Extrusions for Added Strength  
Step Riveted to Rail with Solid Aluminum Rivets  
Steps are Serrated to Resist Slipping

---

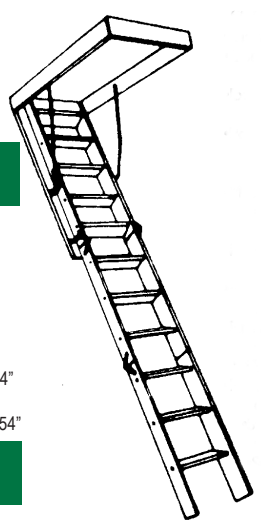
#### "Superior" Ladder Features

300 lb. Duty Rating  
1 x 5 Frame and Stringer  
1 x 6 Rubberized Tread  
Two Strong Metal Handrails

---

**Other Features of the "Atlas" & "Superior" Include:**  
Meets or Exceeds ANSI Standards  
Easily Adjustable Spring Tension  
Treads Dadoed and Nailed into Side Rails  
Galvanized Steel Hardware with Safety Edge  
Steel Rod Under Treads  
Strong Steel Handrails Securely Bolted (no splitting or splintering)

### Disappearing Stairs Full Width Piano Hinge



#### Atlas

**Atlas 8'9" A80**  
Ceiling Height Up to 8'9"  
Rough Opening 22 1/2" x 54" for Truss Construction  
**Atlas 10'0" A81**  
Ceiling Height Up to 10'0"  
Rough Opening 22 1/2" x 54" for Truss Construction  
**Atlas 8'9" A100**  
Ceiling Height Up to 8'9", Rough Opening 25 1/2" x 54"  
**Atlas 10'0" A101**  
Ceiling Height Up to 10'0", Rough Opening 25 1/2" x 54"

---

#### Everest

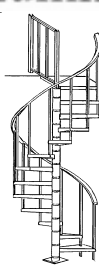
**Aluminum 12'0" AL258P**  
Ceiling Height 120" - 144", Rough Opening 25 1/2" x 63"

---

#### Superior

**Superior 10'0" S101**  
Ceiling Height Up to 10'0", Rough Opening 25 1/2" x 54"  
**Superior 8'9" S200**  
Ceiling Height Up to 8'9", Rough Opening 30" x 54"  
**Superior 10'0" S201**  
Ceiling Height Up to 10'0", Rough Opening 30" x 54"

### Steel Spiral Stairway Specifications



**columns, inc.**

- All exposed steel parts are pre-finished with a dark bronze baked-on enamel finish
- Treads and platform are formed from 12 gauge steel sheet
- Center Column is a sturdy 4" diameter x .125 wall welded steel tubing
- Floor Plate stamped from a 1/4" steel plate
- Balcony rails are 16 gauge square welded steel tubing with balusters spaced 4 1/2" O.C.
  - Corner Post—1 1/4" sq.
  - Top and Bottom Rail = 1" Square
  - Balusters = 3/4" Square

Hand Rail is made from aluminum extrusion furnished with one- piece composition rubber handrail cover and assembled in the field. Oak Treads & Rail Cap Available.

**For a full brochure and price list on the other sizes and aluminum stairways, just ask your sales representative.**